

T1304

Utility, Series 7
129 hp



Packed with features to help accomplish your goals

Accomplish the most demanding tasks with minimal effort. Leverage the standard-setting features of the T1304, equipped with maximized power, lift capacity, transmission and implement controls.



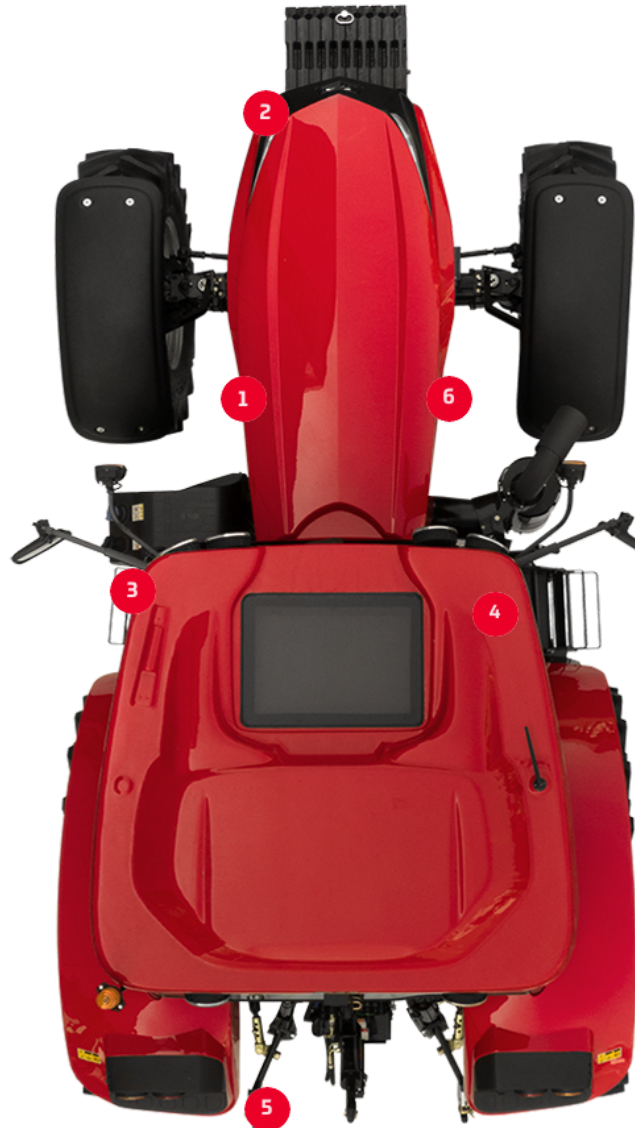
1. Hood equipped with one-touch opening



2. Dial type rpm control



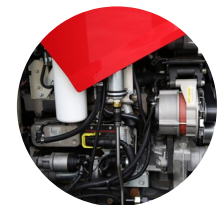
3. Power shuttle lever



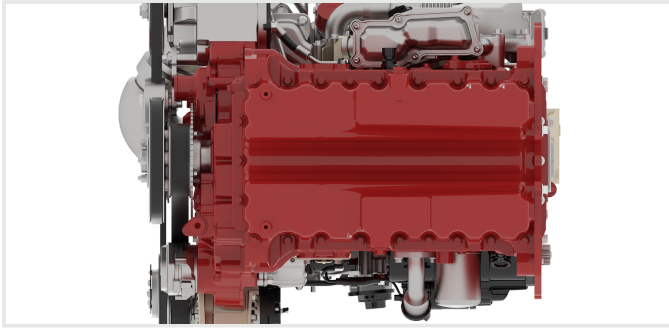
4. High-efficiency air cleaner



5. 6-port hydraulic valve



6. High efficiency engine filter



4-cylinder Deutz engine with common rail system

The 4-cylinder Deutz engine is one of the core efficiency drivers for this utility tractor. The common rail system uses a precise direct injection mechanism to deliver fuel to the engine under pressure. This gives you the power you need when the task demands it, all while lowering fuel consumption and delivering better lifetime value for your machine.



Bosch electro-hydraulic hitch control system

This tractor comes equipped with an electro-hydraulic control (EHC) system for the rear hitch, leveraging German engineering from Bosch. The system allows for quicker and more accurate responses to changes in power and position, enabling operators to lift and lower the hitch gear to exacting specifications. The system is especially useful for row crop farming, allowing more precise tillage and boosting the quality of harvest.



Power shuttle transmission for greater control

Allowing for greater control over the gear and speed changes, the power shuttle transmission enables operators to switch between forward to reverse motion without using the clutch. This preserves tractor momentum and enhances fuel efficiency, boosting productivity for agricultural work, construction jobs and several other applications.



Durable, shock absorbing axle configuration

The heavy duty 4WD front axle allows the tractor to lift heavy loads and tow large implements while absorbing shock and maintaining tractor stability. Powerful hydraulics support the power steering system, which benefits from a dual action mechanism using a hydraulic cylinder and tandem type hydraulic pump.



Interior detailing to promote operator comfort

Operators can activate core functions easily from the main console, including the PTO on/off switch. Digital displays provide alerts and diagnostic information instantly and at a glance. In addition to a spacious and ergonomic seat, the operator platform has a flat floor with a rubber mat to support comfort during entry, exit and while driving.

Technical specifications

ENGINE

Engine manufacturer	Deutz TCD3.6L4-CFXT95
Gross engine power	129 hp
Type	Turbo
PTO power	109.8 hp 81.9 kW
Rated engine speed	2200 rpm
No. of cylinders	4
Displacement	220.96 cu. in. 3621 cc
Air cleaner	Dual Dry
Alternator	12V, 120A
Fuel system	CRDI

HYDRAULIC SYSTEM

Pump type	Dual Gear Pump
Implement flow	20.8 gpm 75.8 l/min
Steering flow	9.4 gpm 35.58 l/min
Total flow	29.43 gpm 111.4 l/min
Category, 3-point hitch	II
Hitch lift capacity	9568 lb 4340 kg
Hitch lift capacity at 24 inches behind link ends	6490 lb 2944 kg
Lift control type	Position/Draft/Elec
No. of standard remote valves	3

CAPACITIES

Fuel tank	46 U.S. gal (Fuel) + 5 U.S. gal (AdBlue) 176 L (Fuel) + 20 L (AdBlue)
Coolant	19.1 qt 18.1 L
Crankcase	8.5 qt 8 L
Transmission/Hydraulics system	26.4 U.S. gal 100 L
Front axle	4.8 U.S. gal 18.1 L

POWERTRAIN

Transmission type	Power Shuttle & Hi/Lo Shift
No. of speeds	F32xF32
Max. traveling speed	22.8 mph 36.7 kmph
Brakes	Wet Disc
Steering	Hydrostatic
Clutch	Wet Multi Plate

DIMENSIONS & WEIGHTS

Overall length with 3-point hitch	173.2 in. 4400 mm
Overall width	90.55 in. 2300 mm
Wheelbase	99.6 in. 2530 mm
Height to top of ROPS	116.58 in. 2960 mm
Min. ground clearance	20.1 in. 510 mm
Min. turn radius with brakes	151 in. 3860 mm
Min. turn radius without brakes	169 in. 4300 mm
Weight with cab	9546 lb 4330 kg

PTO

PTO type	Independent
PTO control	Electric/Hydro
PTO rear	540/750/1000 rpm

STANDARD TIRES

Agricultural - Front	380/85 R 24
Agricultural - Rear	460/85 R 38



Designed for your world

TYM creates tractors that bring together alluring form, advanced function and accessible value. Through Korean expertise in design, engineering and manufacturing, the company helps owners overcome every obstacle as they shape the world around them.

Headquartered in Korea with distribution across North America, Europe, and Asia, and assembly operations in the USA, TYM has been empowering customers for over 70 years.

www.tym.world